

INNOVATION.
PRECISION.
ACCURACY.



Aerospace / Medical Parts

MDW SERIES

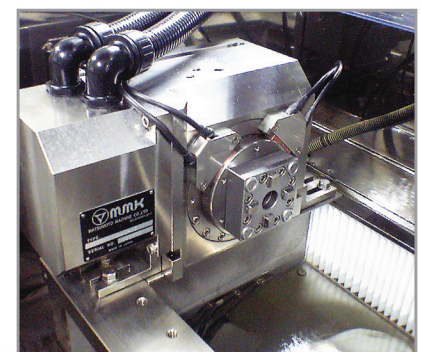
Fully Submersible, B-axis EDM Rotary Table

MDW series single axis EDM rotary tables are designed specifically for EDM wire cut machining. Fully sealed, air purged, and impervious to water, oil and debris; MDW series indexers are protected from the EDM environment and can be mounted as either *A-axis* or *B-axis*. The table's internal structure is completely isolated from the electric current and the unit is equipped with current-collecting brushes, help to effectively distribute electricity charge. Matsumoto MDW tables are constructed of stainless steel for full submersion under water or oil, and designed exclusively for wire EDM applications.



SPECIFICATIONS	MDHWi100L	MDW201	MDWi320	MDEi401
Table Diam. mm (in)	95 (3.74)	200 (7.87)	320 (12.6)	400 (15.75)
Center Height mm (in)	65 (2.56)	140 (5.51)	180 (7.09)	235 (9.25)
Thru-Hole mm (in)	Optional	Optional	Optional	Optional
Servo Motor*	400W	750W	1.5kW	2.0kW
Gear Ratio	1/120	1/60	1/120	1/60
Maximum Speed (RPM)	16.6	11.1	8.4	11.1
Accuracy* (arc sec)	±20	±6	±6	±6
Repeatability (arc sec)	±2	±2	±2	±2
Load Capacity, Vert. kg (lb)	30/66	100 (220)	200 (440)	250 (551)
Load Capacity, Horiz. kg (lb)	60 (132)	200 (441)	400 (881)	500 (1102)
Net Weight kg (lb)	35 (77)	115 (254)	220 (484)	290 (639)

*Higher accuracy with feedback scale is available upon request.



- ▶ Small footprint
- ▶ Entirely sealed & air purged; IP68 class
- ▶ OTT (German) Worm Gear system
- ▶ Optional power chuck, tailstock, additional brushes for enhanced performance

CUSTOM DESIGN ROTARY TABLES | EDM | GRINDING | LASER PROCESSING | MICRO-MACHINING | MILLING

FOLLOW US:

MMK Matsumoto Corp.

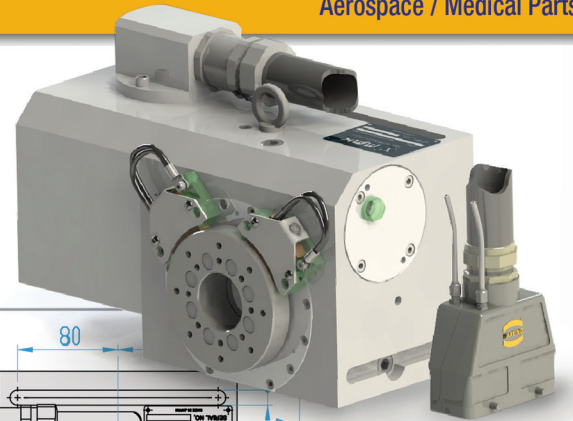
16 East Piper Lane | Suite 129 | Prospect Heights, IL 60070-1799 | (888) 665-1118 | info@MMKMatsumoto.com | www.MMKMatsumoto.com
Corporate Head Office: Kanazawa Japan | European Office: Lyon France



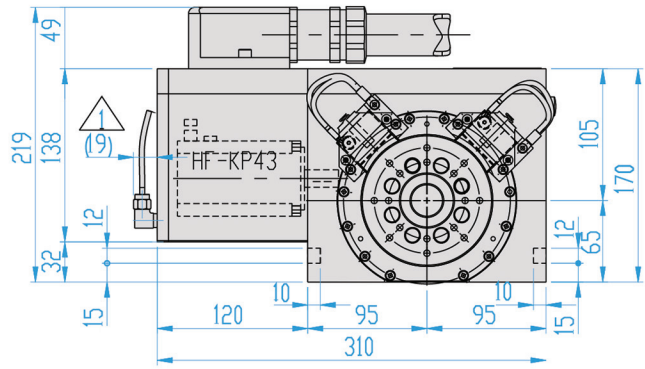
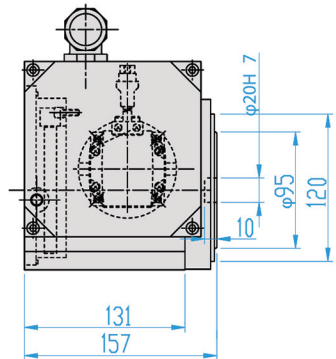
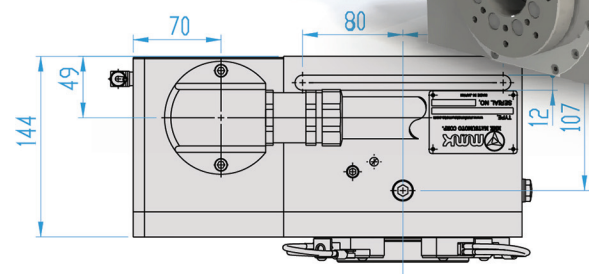
MDW SERIES

Fully Submersible B-Axis EDM Rotary Table

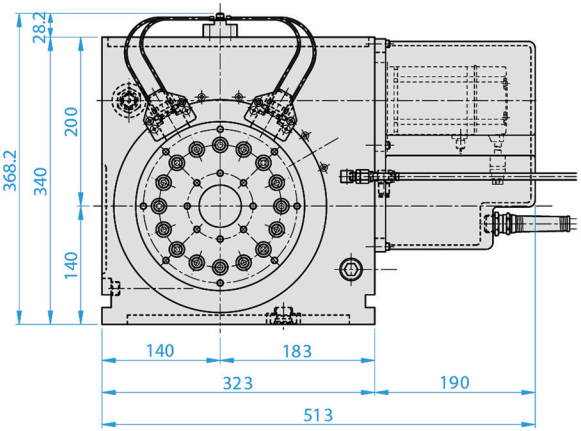
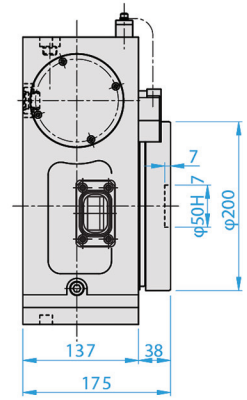
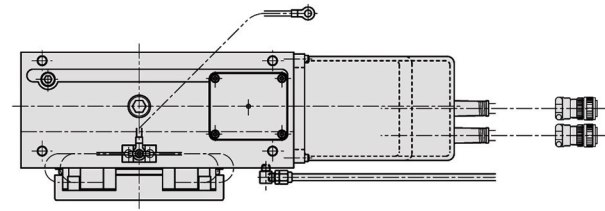
PRODUCT DRAWINGS



MDHWi100L



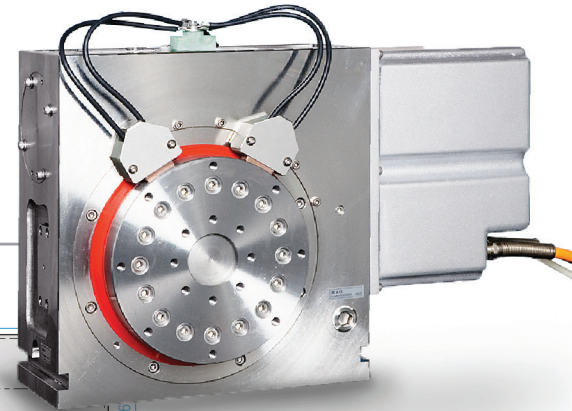
MDW201



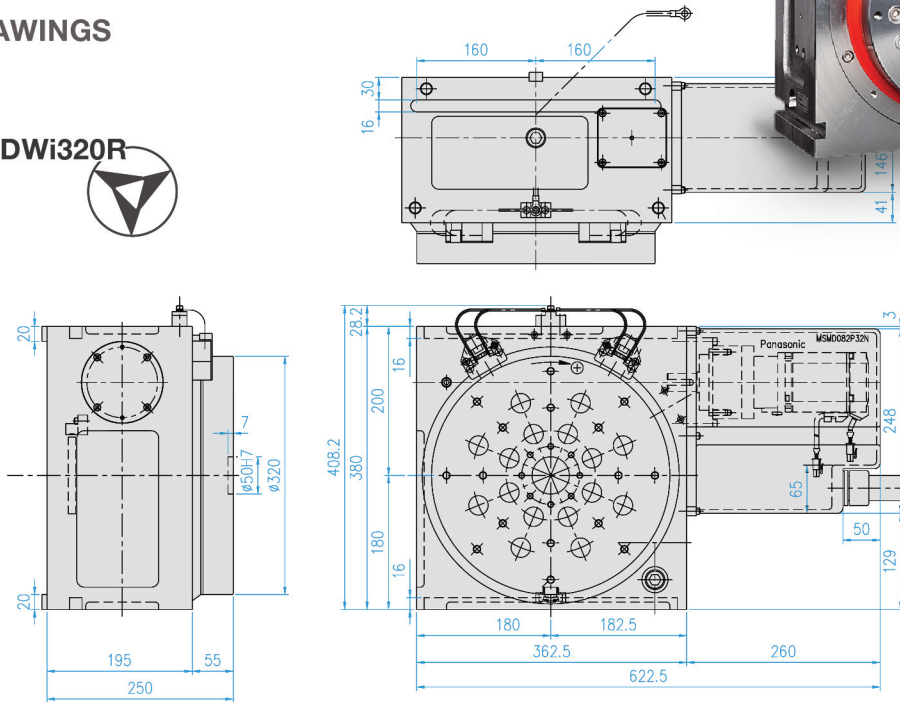
MDW SERIES

Fully Submersible B-Axis EDM Rotary Table

PRODUCT DRAWINGS



MDWi320R



MDEi401R

