

**INNOVATION.**  
**PRECISION.**  
**RELIABILITY.**



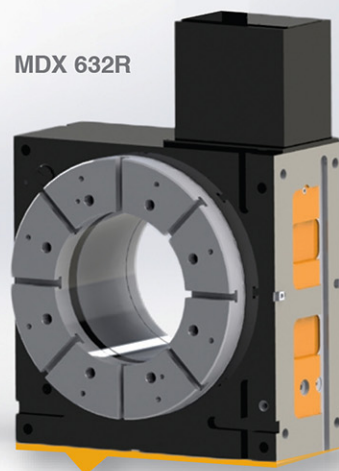
Energy / Petrochemical

# MDX SERIES

## Big-Bore Rotary Tables Heavy Duty, Tri-Mount Positioning

Built tough with a rugged design for intense drilling applications, in order to withstand the most extreme environments. Designed with MMK Matsumoto's unique Tri-Mount Positioning, the ability to mount in any three positions; Vertical, Horizontal, or Sideways. MDX tables can be installed onto either a vertical or horizontal machining center for incredible versatility. Conveniently equipped with a Universal motor mount for quick & easy adaptability to virtually any type of servo motor.

MDX 632R



- ▶ High precision, rigidity, efficiency
- ▶ Large thru-hole allows for diverse applications
- ▶ Universal motor mount
- ▶ Widely used within petrochemical industry

SPECIFICATIONS	MDX 253	MDX 353	MDX 453	MDX 632
Table Diam. mm (in)	250 (9.84)	355 (13.98)	450 (17.72)	630 (24.80)
Center Height mm (in)	210 (8.27)	210 (8.27)	255 (10.04)	400 (15.75)
Thru-Hole mm (in)	115 (4.53)	160 (6.30)	205 (8.07)	370 (14.57)
Servo Motor (Fanuc)*	a8/4000iS	a12/4000iS	a22/4000iS	a30/4000iS
Gear Ratio	1/60	1/60	1/60	1/60
Maximum Speed (RPM)	45	45	33	16.7
Accuracy (arc sec)	12	12	12	12
Repeatability (arc sec)	±2	±2	±2	±2
Clamp System	Hyd.	Hyd.	Hyd.	Hyd.
Clamp Torque Nm (ft-lb)	764 (563)	3067 (1699)	4674 (3447)	5390 (3975)
Load Capacity, Vert. kg (lb)	150 (331)	200 (441)	350 (772)	800 (1764)
Load Capacity, Horiz. kg (lb)	250 (551)	400 (882)	500 (1102)	2500 (5512)
Net Weight kg (lb)	190 (419)	320 (705)	430 (948)	1000 (2205)

\*Other servo motors available



CUSTOM DESIGN ROTARY TABLES | EDM | GRINDING | LASER PROCESSING | MICRO-MACHINING | MILLING

FOLLOW US:

MMK Matsumoto Corp.

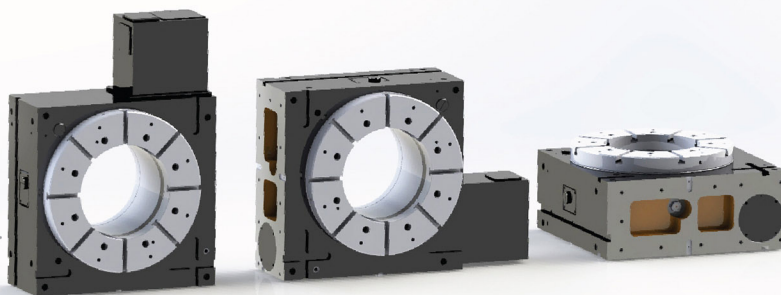
16 East Piper Lane | Suite 129 | Prospect Heights, IL 60070-1799 | (888) 665-1118 | info@MMKMatsumoto.com | www.MMKMatsumoto.com  
Corporate Head Office: Kanazawa Japan | European Office: Lyon France



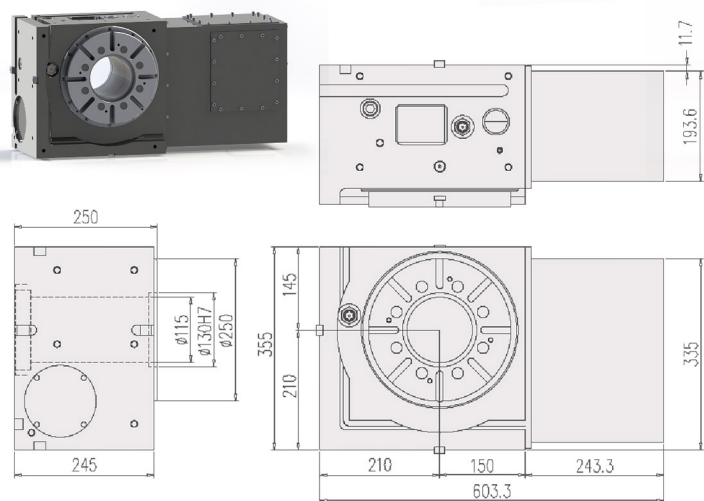
# MDX SERIES

**Big-Bore Rotary Tables**  
**Heavy Duty, Tri-Mount Positioning**

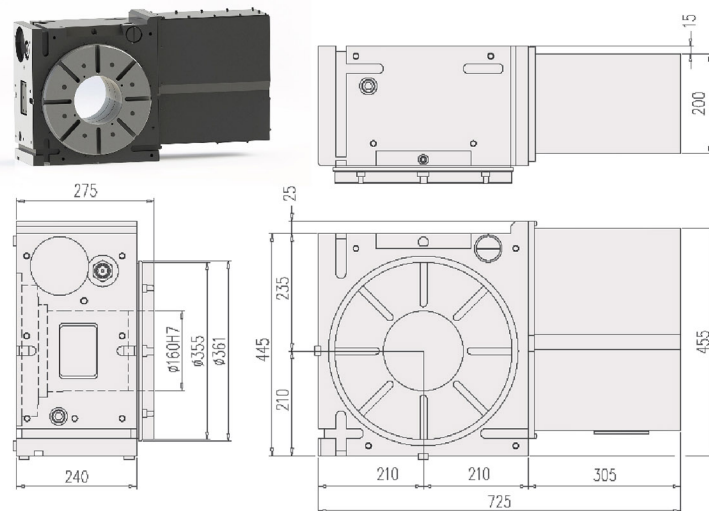
## PRODUCT DRAWINGS



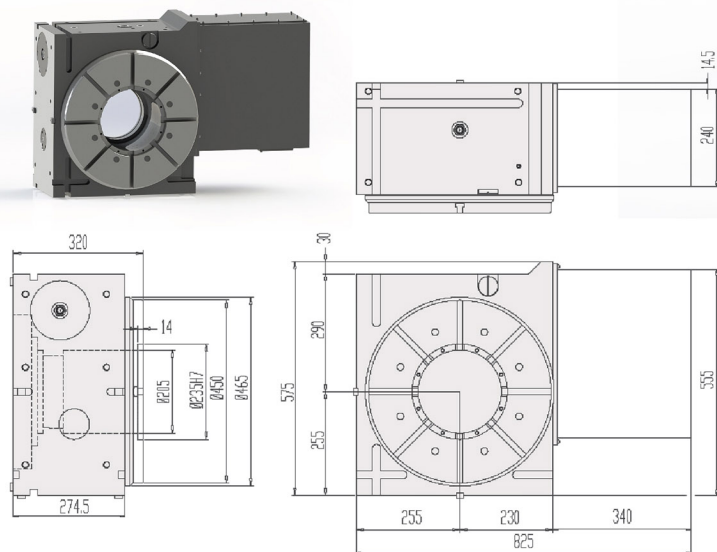
**MDX 253R**



**MDX 353R**



**MDX 453R**



**MDX 632R**

